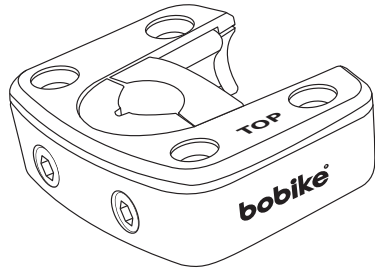


bobike®

bicycle safety seats



MOUNTING INSTRUCTIONS QUICK GUIDE

Universal Bracket for Bobike Front Bicycle Safety Seats for Head Tube Mount

- ONLY COMPATIBLE**
 - fits round head tubes \varnothing 22-32 mm / 0.87-1.26" MTB 1-1/8"
 - space required 35 mm / 1.38"
 - 26"-29"
 - EPAC / PEDELEC max. 25 km/h / 15.5 mph
- FORBIDDEN**
 - not for bikes with drop handlebar
 - not for carbon fiber bikes
 - not for bikes with motor (mopeds & scooters)
 - not for speed pedals > 25 km/h | 15.5 mph
 - not for foldable bicycles

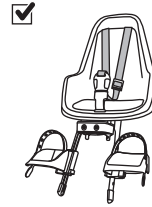


www.bobike.com

Classic Mini



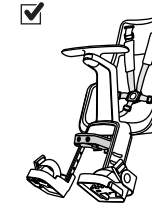
Go® Mini



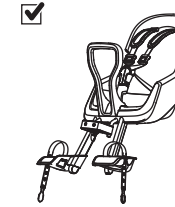
One® mini



Exclusive® Plus mini

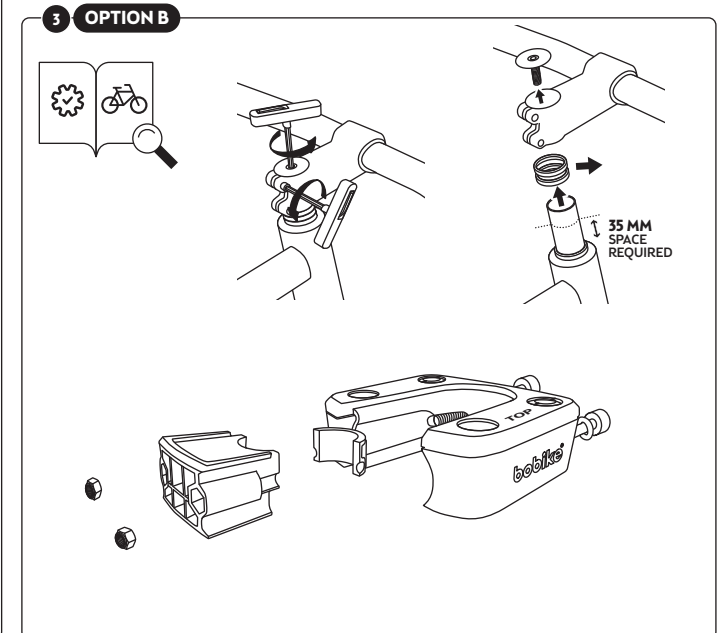
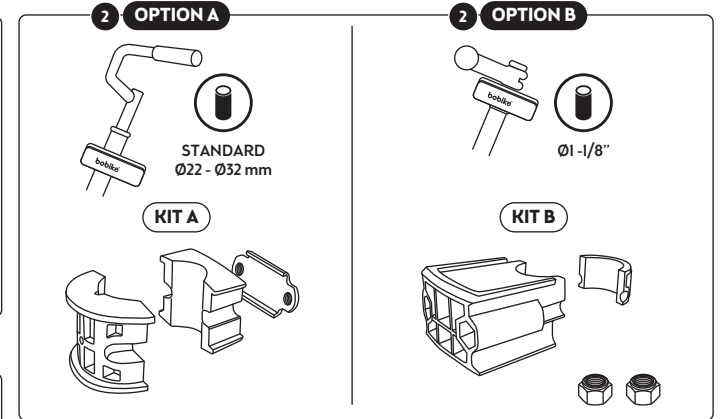
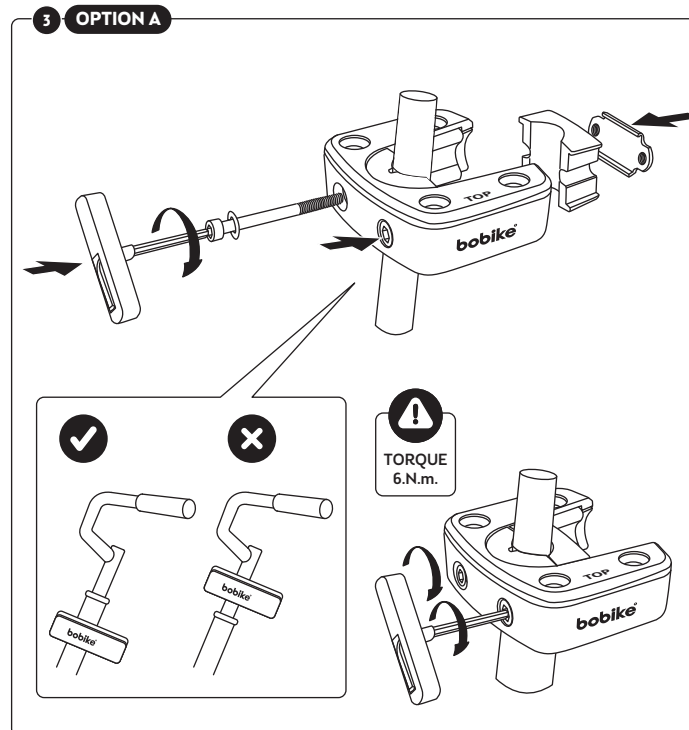
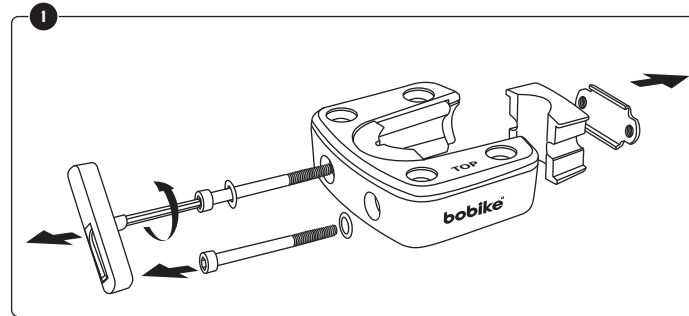


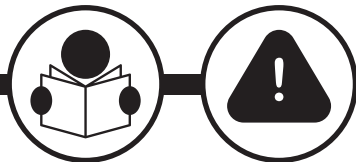
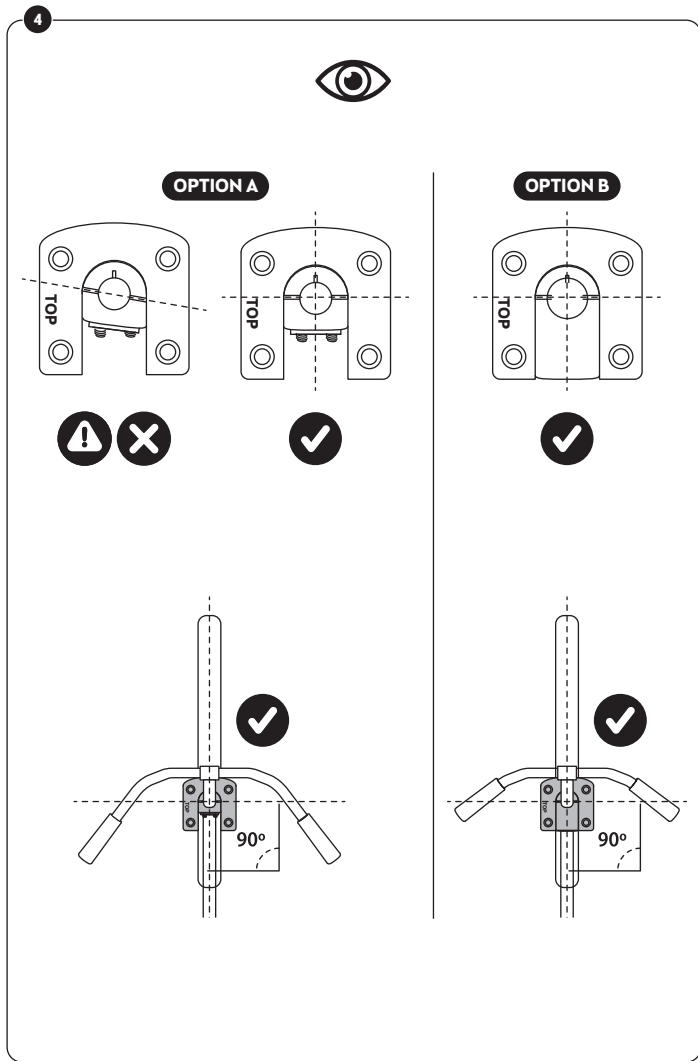
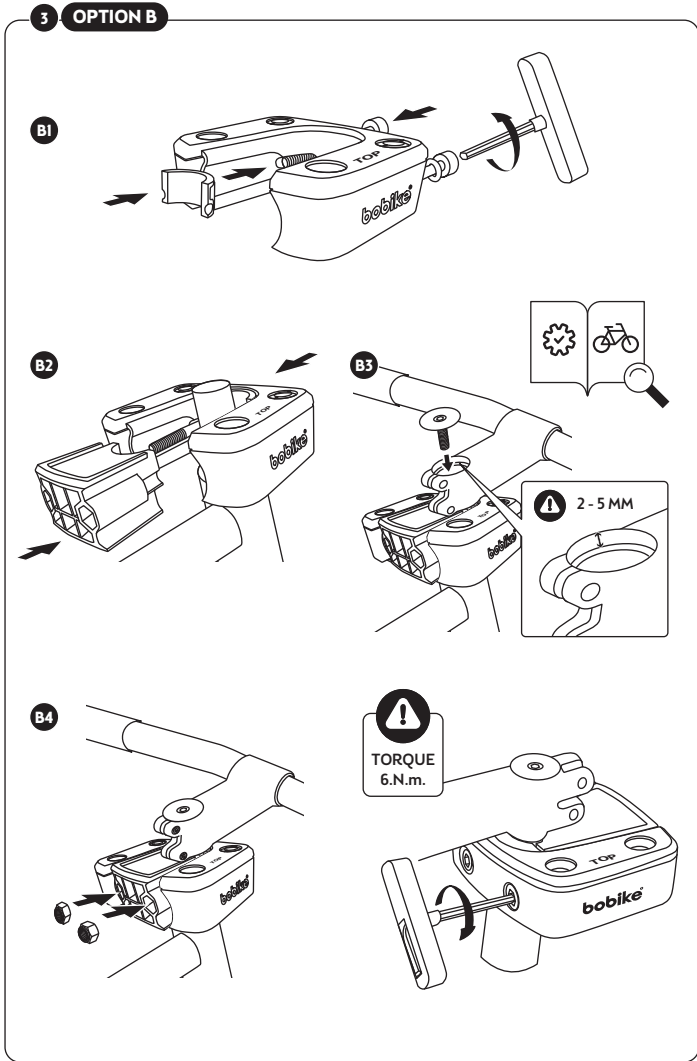
Exclusive® evolve mini



tool needed
Allen Key N°5 ✓

for head tube mount





EN.Warning: This instruction does not dispense the integral reading on the child seat manual for a safe assembly of the seat on the bicycle.

NL. Waarschuwing: Deze instructie is geen vervanging van de handleiding voor de veilige montage van het kinderzitje op de fiets.



Separate waste collection.
Check your local municipal guidelines.

POLISPORT PLÁSTICOS, S.A. | Av. Ferreira de Castro, 818
3720-024 Carregosa, Portugal

bobike@bobike.com

Made In Portugal | MAN06II
